

Z8416XF-CL | H.265 Z8000 DVR series

16-Channel Penta-brid 5MP Lite Digital Video Recorder



Features

- H.265/H.264 Decoding
- Support AHD/TVI/CVI/CVBS/IP Video Input
- Support HDMI up to 1080p output
- Support 16CH 5MP Lite Resolution Preview and Playback
- Mobile phone remote monitoring (iOS, Android)



System Overview

ZKTeco Z8400XE/F-S/SL series DVR could deliver up to 5MP Lite resolution excellent image over advanced H.265+ compression. It's the ideal consideration for the balance of quality, performance and budget.

The friendly GUI provides intuitive shortcut operations, remote control and management, exible storage, smart search and playback. It's widely used for the government, banking sectors, manufacturers, educational or commercial projects.

Powered by the strong interoperability and Onvif Pro le S, it's compatible with a variety of 3rd party crossing platform VMS.

Functions

Smart H.265+

Delivering high quality video with up to 70% bandwidth saving. H.265+ is the evolutionary optimization of H.265 and traditional H.264. The Smart H.265+ includes a series of scene-adaptive encoding strategies such as Dynamic ROI, flexible multi-frame reference structure and smart 2D&3D noise reduction.

5 in 1 Video Input

Penta-brid access technology seamlessly records video from AHD, TVI, CVI, CVBS, and IP sources simultaneously, provide a easy integration into existing video surveillance systems while leveraging existing networks, cabling, and cameras.

Intelligent Video Analysis (IVA)

It allows detection on multiple object behaviors, such as Tripwire, Intrusion, Objects Detection, Target Counting etc, and quickly and accurately responds to monitoring events in a specific area.

Technical Parameters

Model	Z8416XF-CL
-------	------------

System

Processor	Multi-core Embedded Processor
Operation System	Embedded Linux

Video/Audio

Video Input	16ch BNC interface (1.0Vp-p, 75 Ω)
Audio	2 Channel Input, 1 Channel Output, RCA
AHD Input	8MP,5MP,4MP,1080P, 720P
TVI Input	8MP,5MP,4MP,1080P, 720P
CVI Input	4MP,1080P, 720P
IP Camera Input	Up to 16ch 5MP
Hybrid Mode	8ch(AHD/TVI/CVI/CVBS)+8ch(IP)

Recording

Video Compression	H.265/H.265+/H.264
Recording Resolution	5MP lite/4MP lite/1080P/720P/960H/D1
Frame Rate	5MP lite@12fps, 4MP lite@15fps, 1080P@15fps, 720P/960H/D1@25fps
Incoming Bandwidth	64Mbps
Bitrate	Main Stream: 11Kbps~4096Kbps Sub Stream: 50kbps~700kbps
Audio Compression	G.711a
Audio Bite Rate	64Kbps
Record Mode	Manual/External Alarm/ Motion/Scheduled/IVA Alarm

Playback and Backup

Playback Channel	1/4/8/9/16
Search Mode	IVA Search/Time/Motion Detection
Playback Function	Play, Stop, Play Forward, Play Backward, 30 Seconds Forward, 30 Seconds Backward, Fast Play, Slow Play, Single Frame Play, Hide/Show Time Bar, Backup, Snapshot, Full Screen
Backup Mode	USB Device/Network

IVA Alarm

Local IVA Functions	Target Counting, Object Abandon/Missing, Intrusion, Tripwire, Human Detection
Regular Detection	Motion Detection/Video Tampering/Video Loss

Network

Network Protocol	TCP/IP, HTTP, DDNS, SMTP(SSL), DHCP, PPPoE, UPnP, NTP, P2P, ONVIF
Max. Online User	5
Mobile App	AntarView Pro
Interoperability	Onvif Profile S, SDK

I/O Port and Storage

Network Interface	1 RJ-45 Port(10 /100/1000 Mbps)
USB	2*USB 2.0
HDMI	1*HDMI (4K)
VGA	1*VGA (1080P)
Alarm Input	N/A
Alarm Output	N/A
RS-485	N/A
HDD	2 SATA, Up to 8TB for each HDD

Power

Power supply	DC 12V/3A
Consumption	Max. 10W without HDD

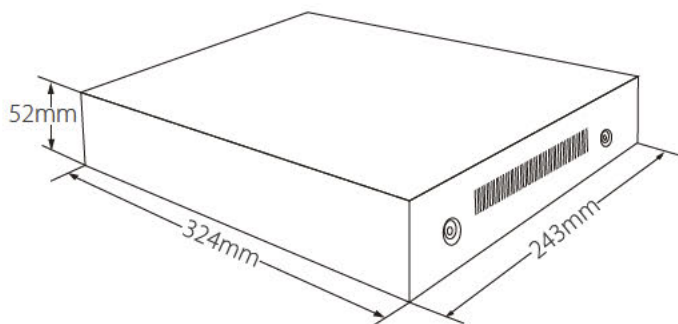
General

Working Temperature	0°C~+55°C
Working Humidity	10~90%
Dimensions	243mm*324mm*52mm
Net Weight	1.3KG
Gross Weight	1.8KG

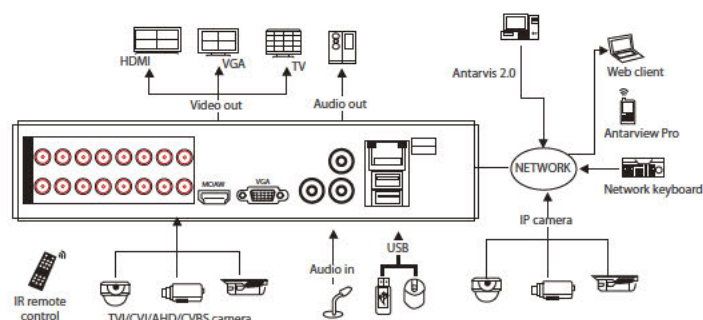
Ordering Information

Type	Part Number	Description
H.265 DVR	Z8416XF-CL	16 CH H.265 5MP Lite 2 SATA DVR

Dimensions (mm)



Rear Panel



www.zkteco.technology

